

Installation accessories Specification

AS-NNR25P1-25

AS-NNR25LCX-1000

AS-NNR25DCX-XX

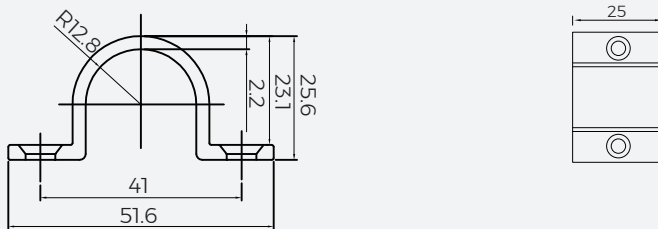


【Features】

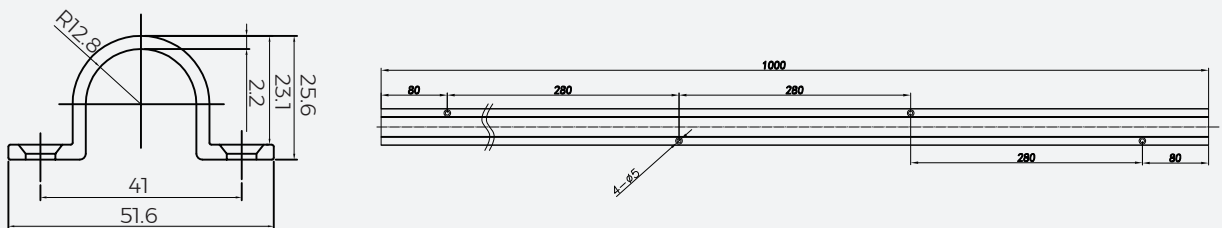
- Material: PC;
- Operating environment: indoor;
- Installation: screw flat mounting;
- Warranty: 3 years.

【Mechanical Parameter】

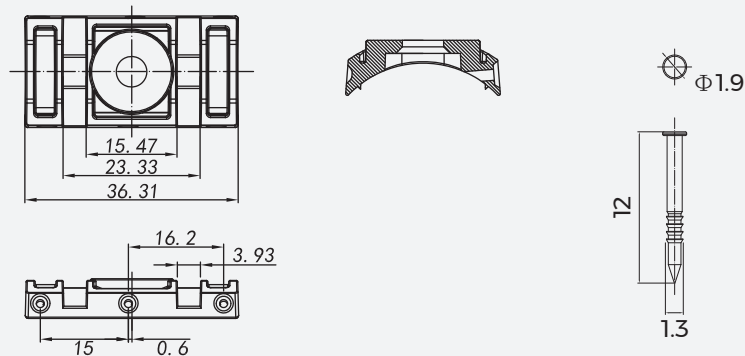
AS-NNR25P1-25




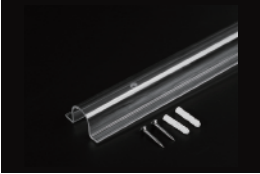

AS-NNR25LCX-1000



AS-NNR25DCX-XX



【Specification information】

Describe	Accessories Picture	Order model	Quantity/ case (PCS)	Net weight (kg)	Per box net weight (kg)	Gross weight (kg)	Packages (mm)	Range of applications
NNR25 ceiling Fixed installation components		AS-NNR25P1-25	100	0.01	1	1.2	250*250*150	Size: L25*W51.6*H27.8mm with screws 3pcs/1M;5pcs/2.5M; 8pcs/5M
Horizontal ceiling installation components		AS-NNR25LCX-1000	15	0.08	1.20	1.80	1180*125*115	Size: L1000*W51.6*H25.6mm with screws
Concealed Install components		AS-NNR25DCX-XX	480	0.01	2.40	3.13	365*365*190	Recommended dosage: 1PCS/0.5M

【Precautions】

- Do not use any acid or alkaline adhesive to fix products(including not limited to glass cement,etc).
- After the installation of the lamps and lanterns is completed, do not pull violently, to avoid damage to the lamp.